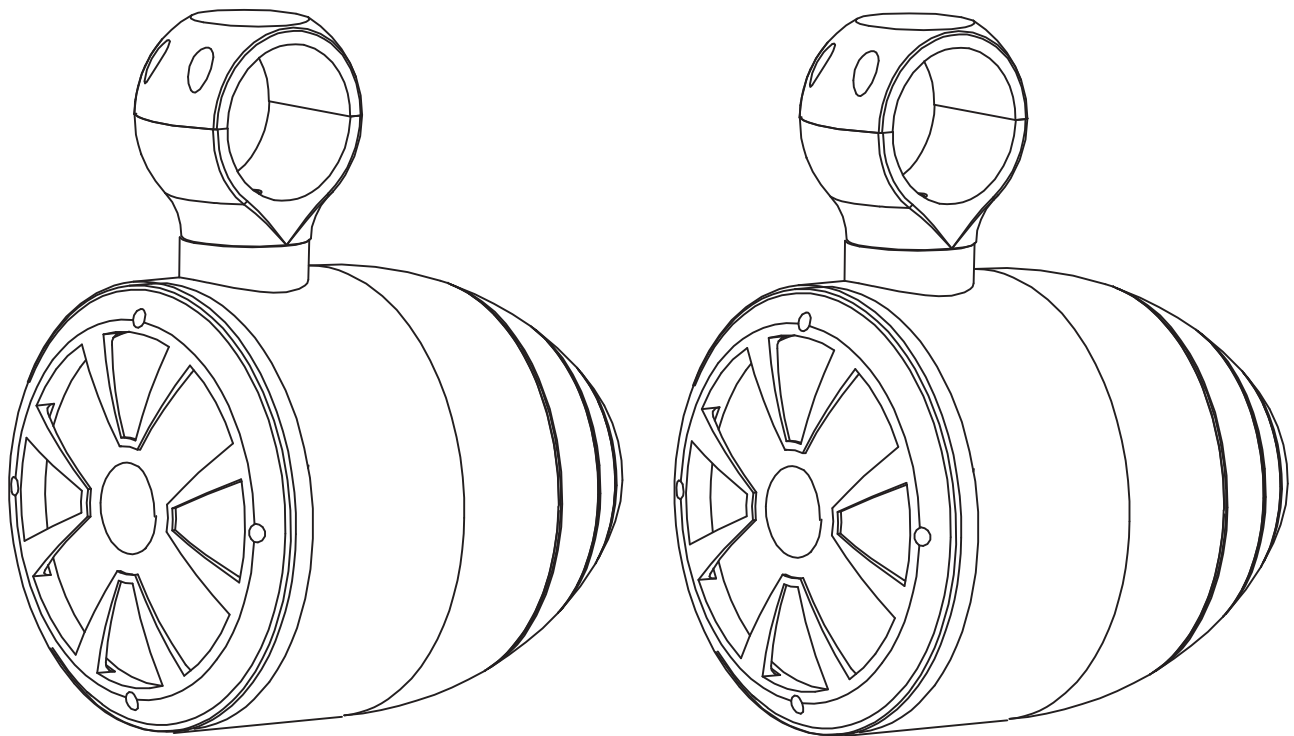


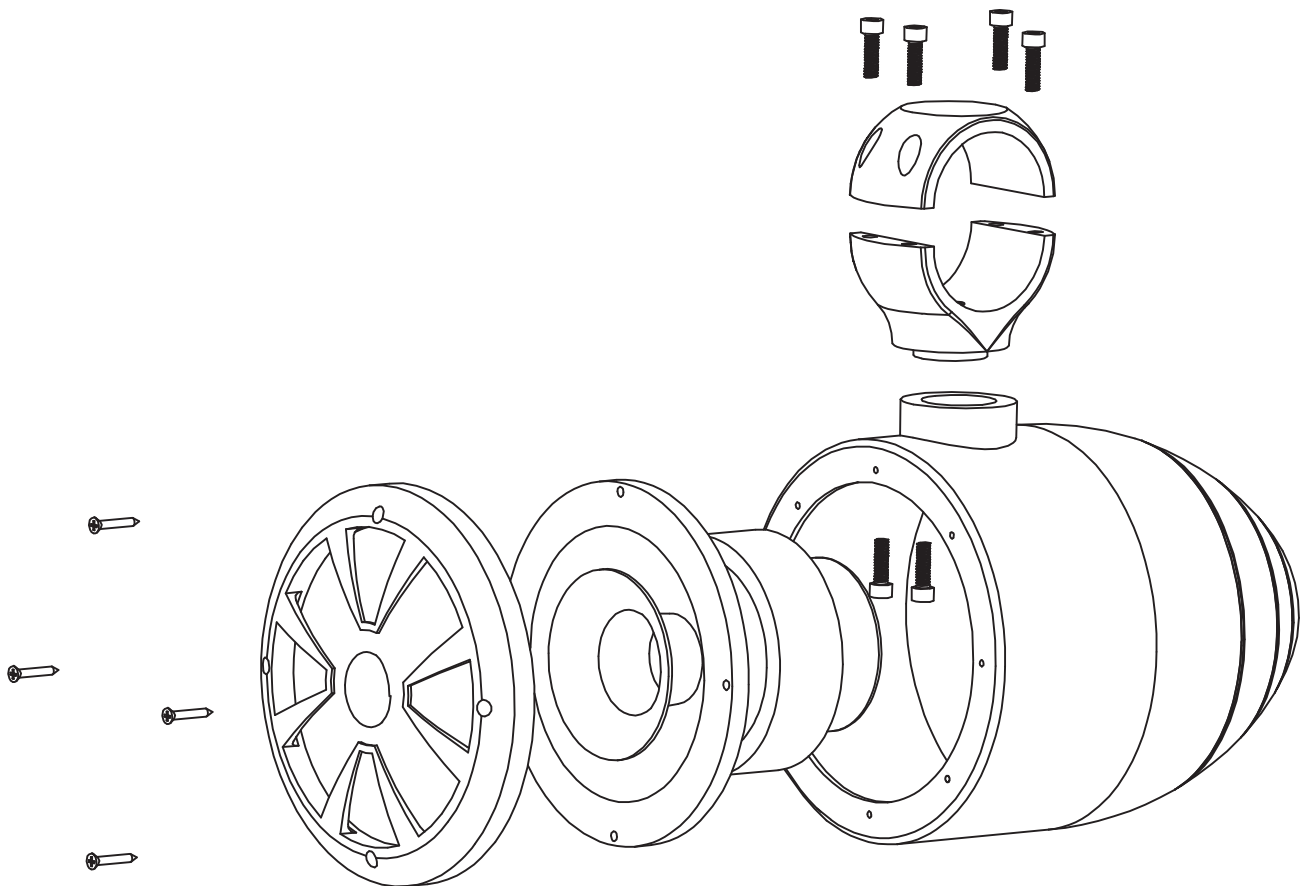


WAKEBOARD TOWER SPEAKERS



INSTALLATION GUIDE

EXPLODED VIEW OF THE INDY WAKEBOARD TOWER SPEAKERS



STEP 1:

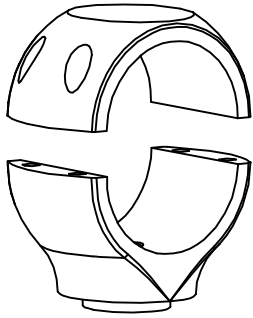
Unpack and check the contents of the box

Check the parts list and the Installation Guide corresponds with the product you purchased
Ensure you have the correct tools to complete the Installation.
Ensure you have the skills to complete the install.

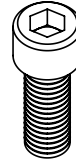
Please Read all Instructions prior to installation.

If you are NOT sure of any part of the guide or you have any questions
Please contact the supplier or Indy Wakeboard Towers direct

Email: indywakeboardtowers@gmail.com



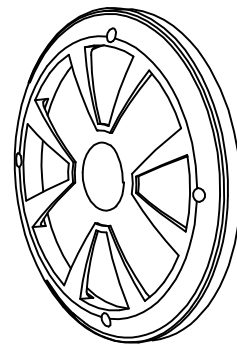
2 x Clamp (plus rubber collars)



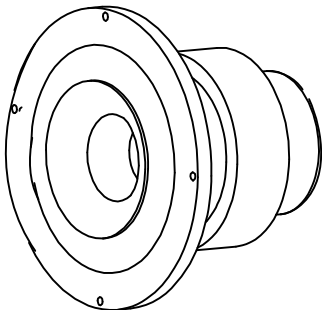
12 x M6 long bolts for clamp



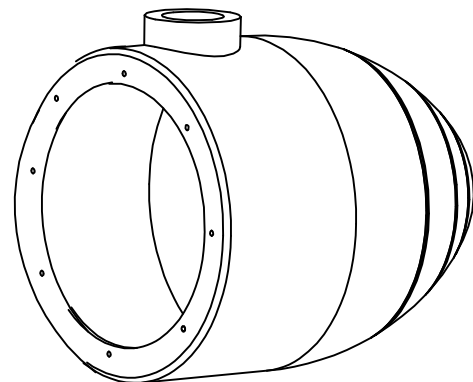
8 x Self Stainless Steel Screws



2 x Black Indy Logo Speaker Grills



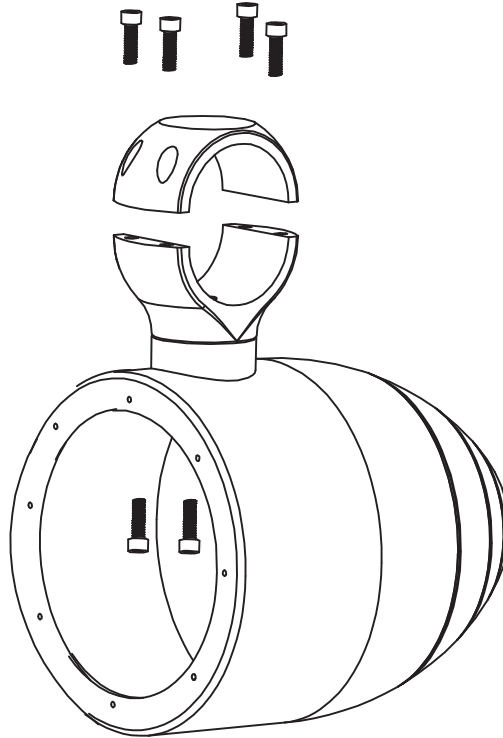
2 x Indy Speakers



2 x Aluminium Pods

STEP3: ASSEMBLE THE BALL CLAMP.

NOTE: Take one half C section and line up the holes insert the 4 x long M6 bolts. Check that the half C section is flush around the edge with the other half of clamp. If NOT flush remove and rotate the C section and re attach.



STEP4: ATTACHING POD TO THE WAKEBOARD TOWER

(A) Remove the speaker from the speaker casing pod. Carefully remove the grill and speaker by removing the stainless steel screws.

NOTE: Inside the speaker casing pods you will see two M6 bolts that go through the pod into the clamp. If the clamp is tight you can loosen these two bolts and the clamp will rotate.

(B) Remove the top half C section of the clamp.

(C) If your tower is 2.5inch no rubber collar is required. For your INDY tower use the rubber collar supplied the thinner one of the 2 supplied. Place the collar over the top of the tube, place the half C section of the clamp over the top. Now you can attach the speaker casing pods to the C section of the clamp.

Repeat with the other speaker.

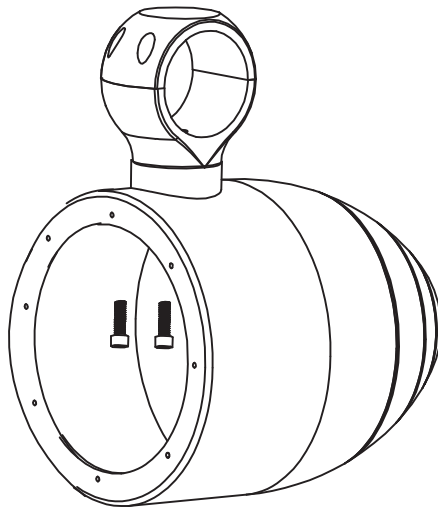
(D) Position the tower pods in the position you like. MARK the position of the clamp. Marke in the center of the tower tube on the underside. Drill a hole in the centre, then smooth of the rough edges.

NOTE: At this point you can run your wire harness through the tower tubes and out the holes you have just drilled. Ready to be attached to your speaker

INSTALLATION GUIDE

STEP5: ATTACHING PODS AND DJUSTING - DIRECTION

NOTE: Inside the speaker casing pods you will see two small M6 bolts that go through to the clamp.



(A) From inside the speaker pod loosen the two M6 bolts, now you can swivel the speaker pod to the direction you require left or right to suit the curve of your top bar of your tower. Once you have the correct position tighten the bolts from the inside. We recommend you use lock tight to secure the bolts nice and firm.

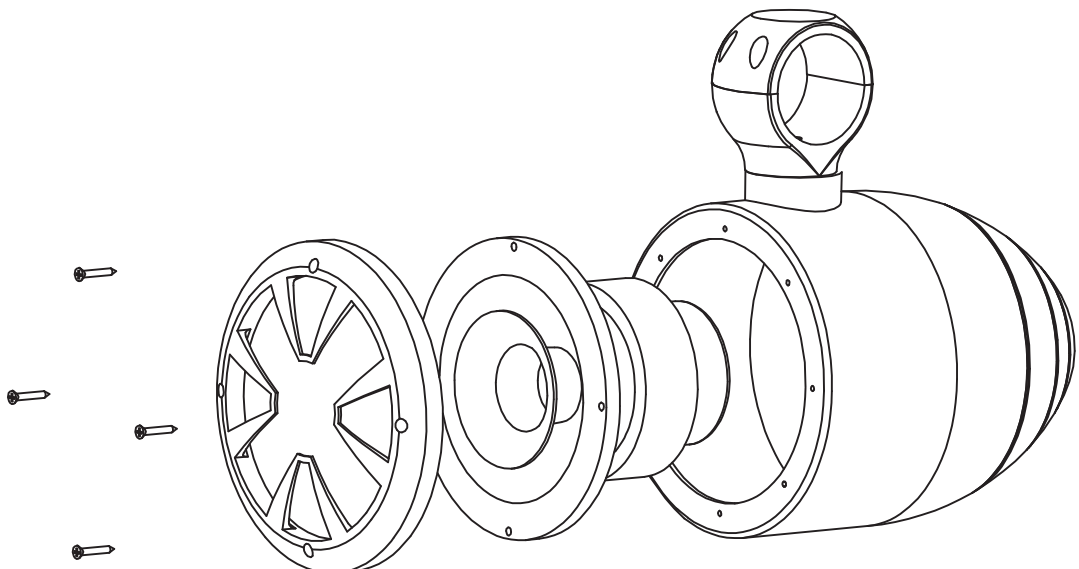
STEP 6: ATTACHING SPEAKER TO THE PODS

NOTE: At this stage your wires should be inserted through the clamp to the inside of the pod. Allow enough length so you can attach to the speaker.

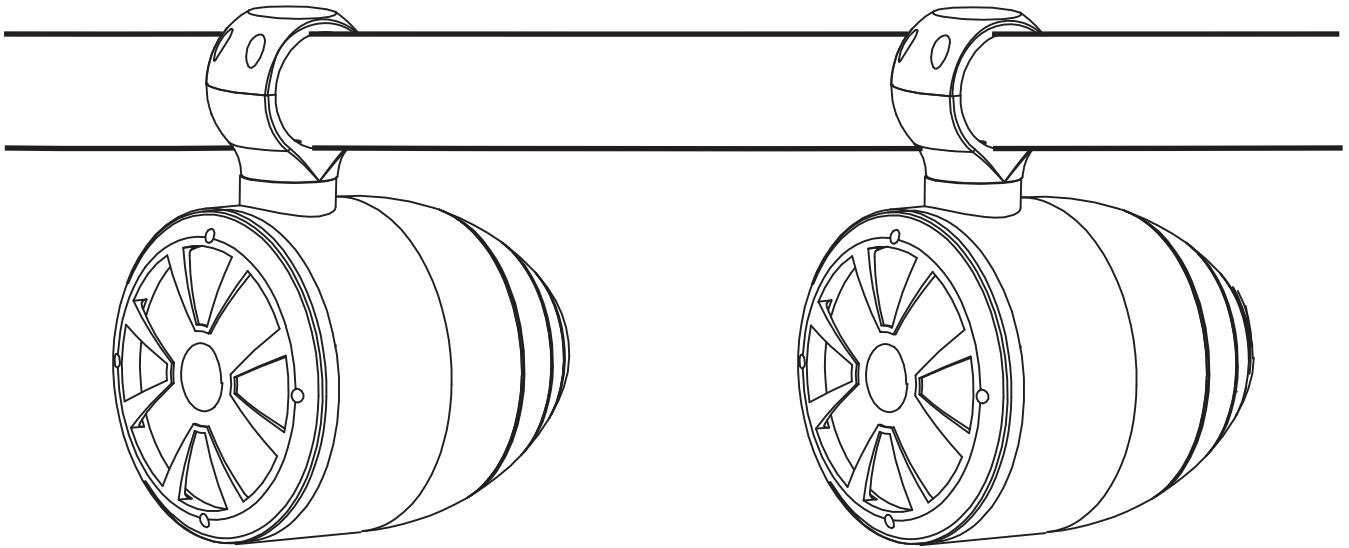
We recommend that you solder the wires to the speakers for the best result.

(B) After attaching the wires to the speakers you can insert the speaker into the pod, place the black Indy Grill over the speaker and line up the holes. Ensure the logo is in the correct position so you can read it.

WARNING: Whilst attaching speaker and speaker grill, be gentle and careful whilst inserting the screws and tightening. **DO NOT OVER TIGHTEN** as you might break the grill. We recommend that you use a hand screw driver **NOT** a motorised drill for attaching the speaker and grill.



INSTALLATION GUIDE



WARNING:

Before and after towing behind vehicle check all bolts of the speakers and pods.
Before using your boat check the products bolts and screws and the speakers are secure and operating
Do not amp the speakers more than 60 watts per channel to a speaker
Do not run the BASS high through the speakers, these are not sub woofers
Ensure the correct gauge wires are used when installing the speakers.
Care and maintain your products. Clean and rinse off and dry.
Use a marine clear protection spray on the bolts for best maintenance.

WARRANTY

Indy warrants the product (not including other 3rd party accessories) against manufacturer's defects.
Lifetime for the Alloy Clamps, pods. 12 months for the speakers.
To claim you must contact Indy or its Distributor. The product/part is to be sent to the Distributor for inspection where it will either be repaired or replaced. (unless otherwise agreed in writing)
The customer is liable for costs associated in shipping the product/part to Indy.

Indy is not responsible for personal injury or damage to the boat caused by the use of wakeboard tower speakers or any transport charges or cost of installation or removal of the wakeboard tower speakers
Indy is not liable for direct or indirect or consequential damages resulting from delay or improper installation.

Warranty does NOT cover Anodised, polished, powder coated surfaces as well as any hardware corrosion, rubber inserts. They are specifically excluded as their care and use can not be controlled by Indy. Please contact Indy for replacement rubbers.

No dealer, retailer or manufacturer is the agent of James G Pty Ltd and may not assume any liability in connection with this warranty. This warranty is in lieu of all.

INSTALLATION GUIDE
