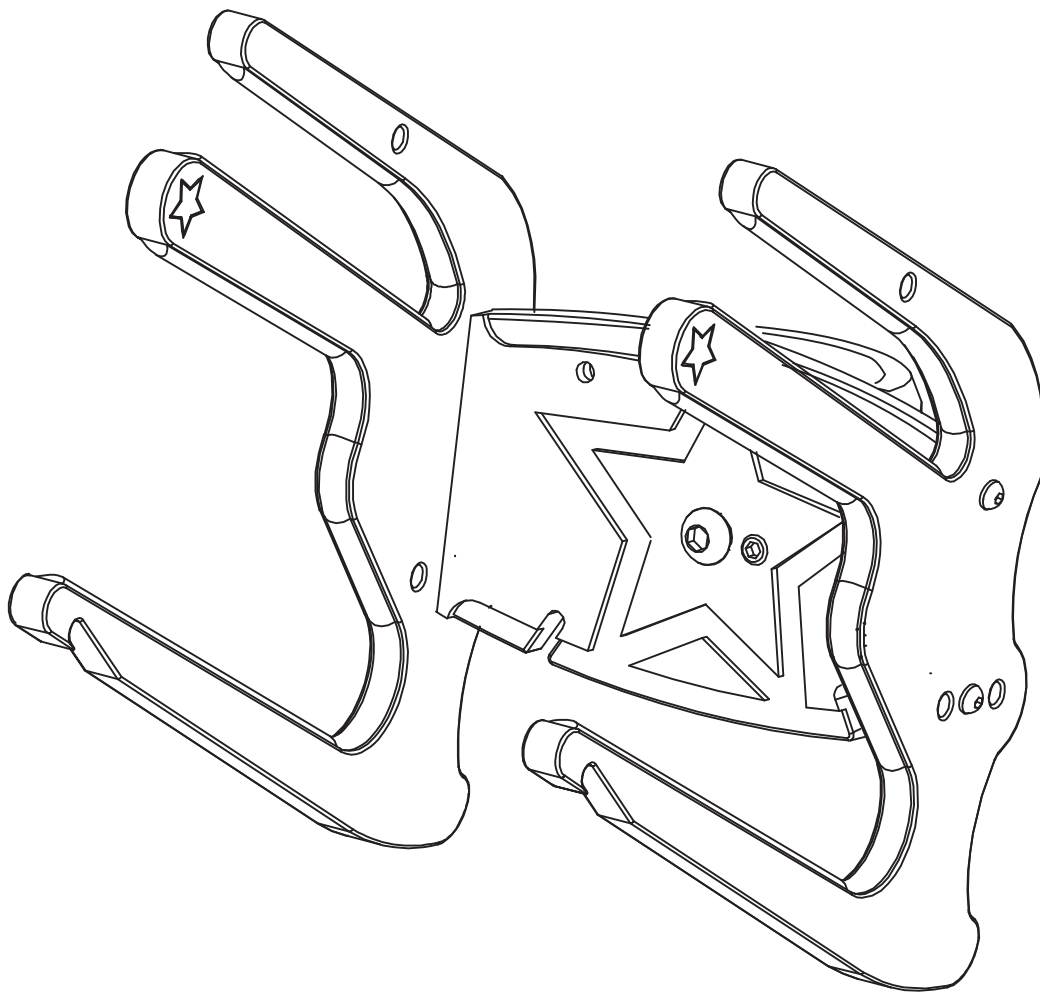




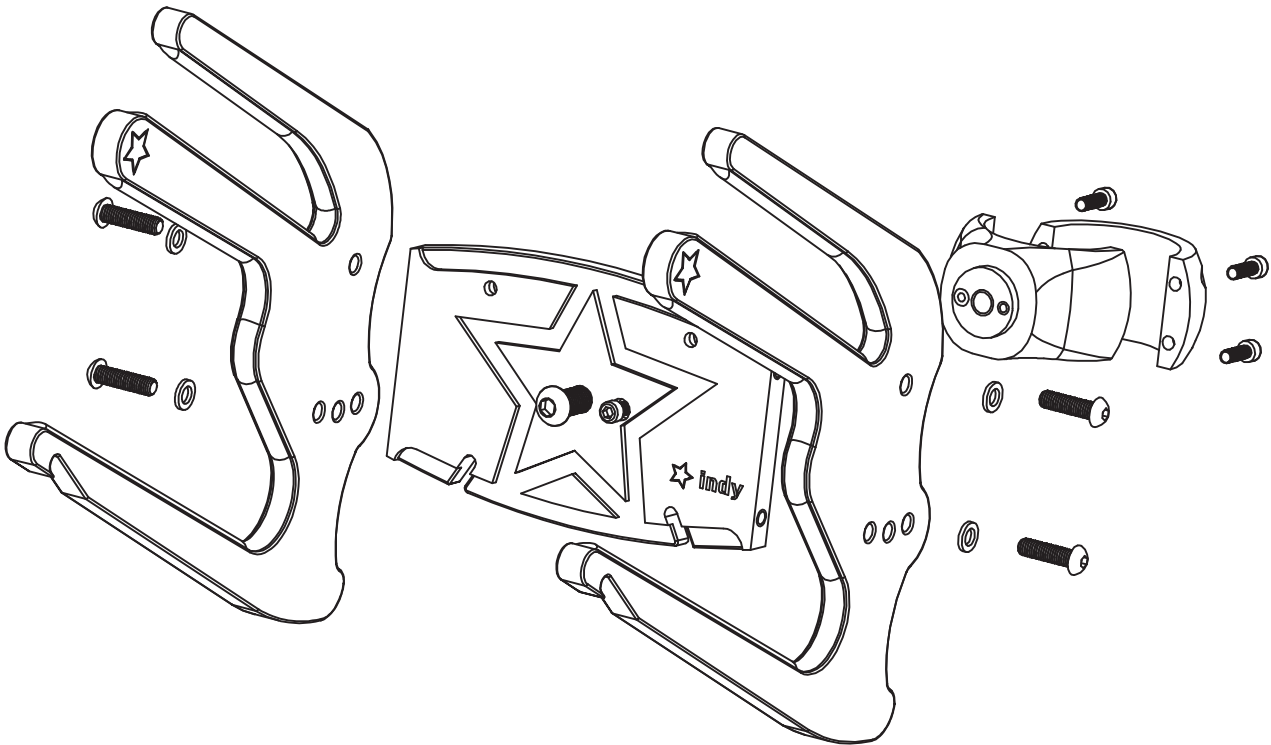
# INDY KNEEBOARD COMBO RACK



## INSTALLATION GUIDE

---

## EXPLODED VIEW OF THE INDY KNEEBOARD COMBO RACK



### STEP 1:

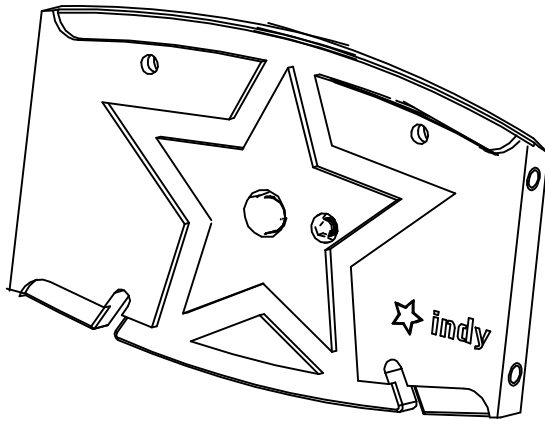
#### Unpack and check the contents of the box

Check the parts list and the Instruction Guide correspond with the product you purchased  
Ensure you have the correct tools to complete the Installation.  
Ensure you have the skills to complete the installation.

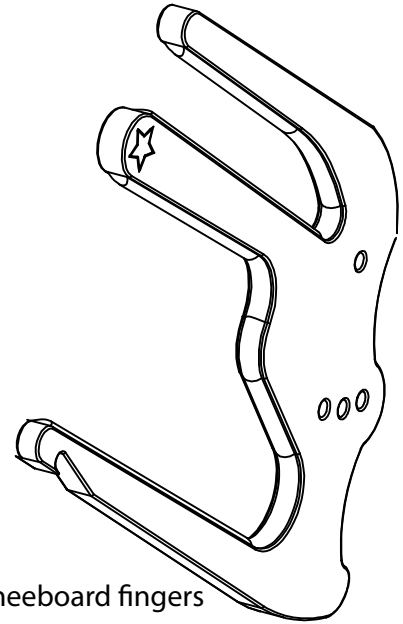
Please Read all Instructions prior to installation.

If you are NOT sure of any part of the guide or you have any questions  
Please contact the supplier or Indy Wakeboard Towers

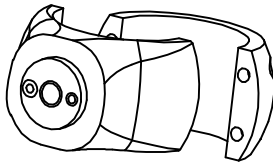
**Email: [indywakeboardtowers@gmail.com](mailto:indywakeboardtowers@gmail.com)**



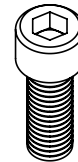
1 x Base plate



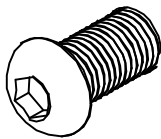
2 x kneeboard fingers



1 x Clamp (plus rubber inserts)



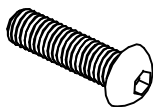
4 x M6 long bolts for clamp



1 x M12 centre base bolt



1 x M6 Short bolt



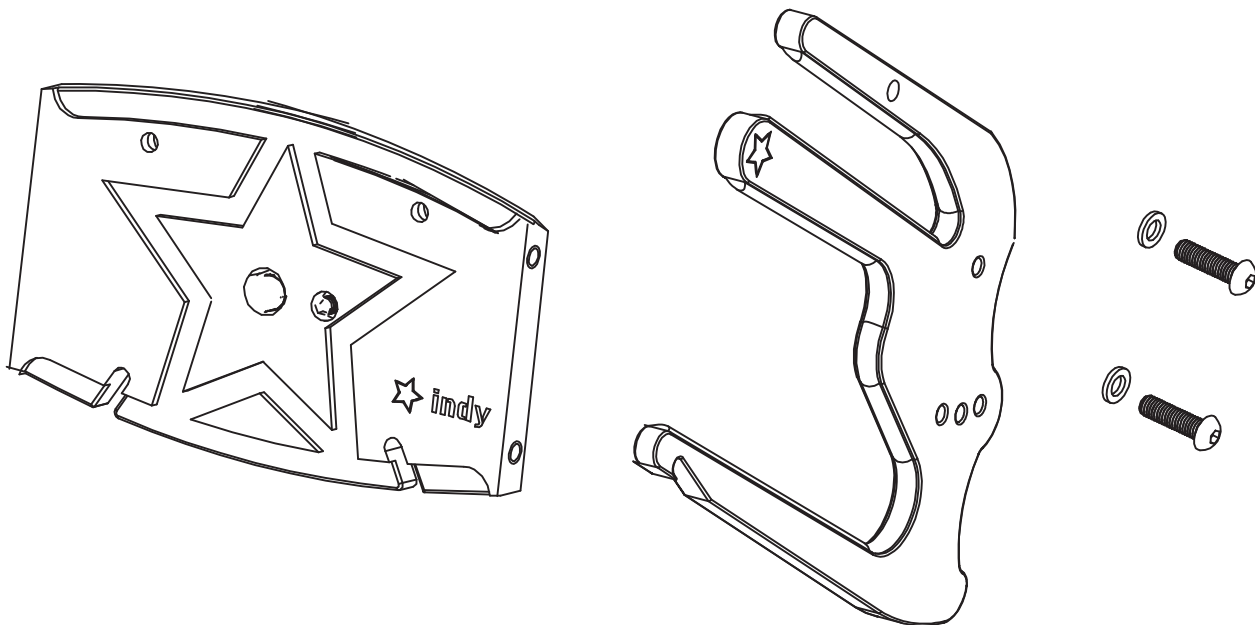
4 x M8 long bolts for fingers



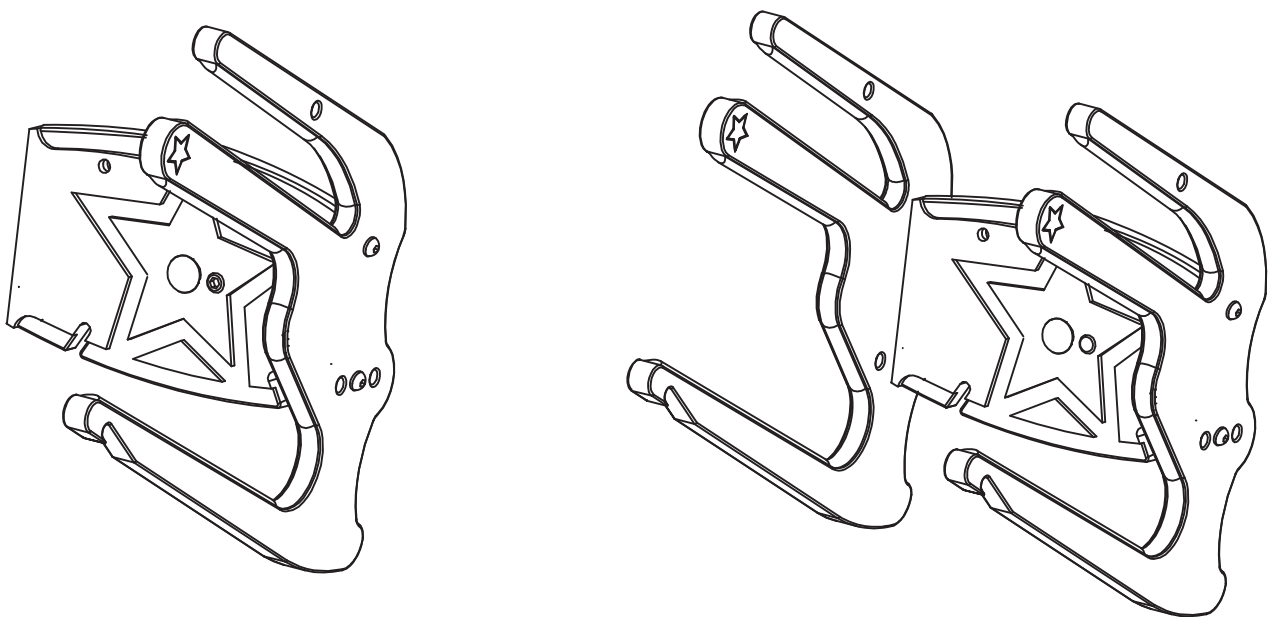
4 x small white plastic washers

## Step 2: ATTACHING THE KNEEBOARD COMBO RACK FINGERS TO BASE PLATE.

**NOTE:** The bottom of the kneeboard rack finger has 3 holes grouped together. Large finger gap is to the bottom. Make sure you can read the star Indy logo on the base plate when fingers attached.



(A) Attach the finger using a dome shaped bolt with a small plastic washer. Insert through the center hole of the 3 grouped holes. Line the hole up with the bottom threaded hole on the side of the base plate. Now line up the top hole on the base plate with the single hole on the finger.



(B) Repeat process with the other finger.

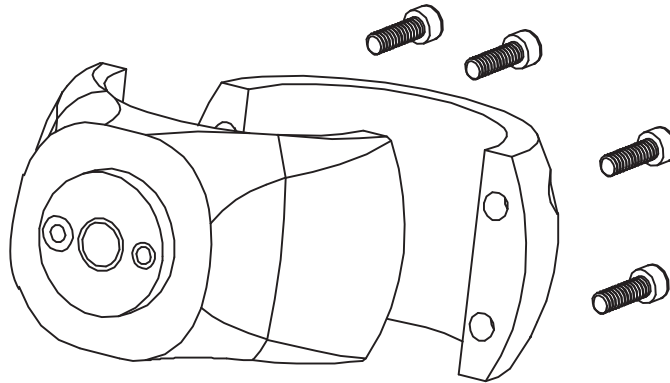
**NOTE:** You can change the angle of the fingers by selecting a different hole in the group of three.

## INSTALLATION GUIDE

### STEP3: ASSEMBLE THE BALL CLAMP.

**NOTE:** The when the two C section of the clamp are together the edges are flush. If not turn one C section around.

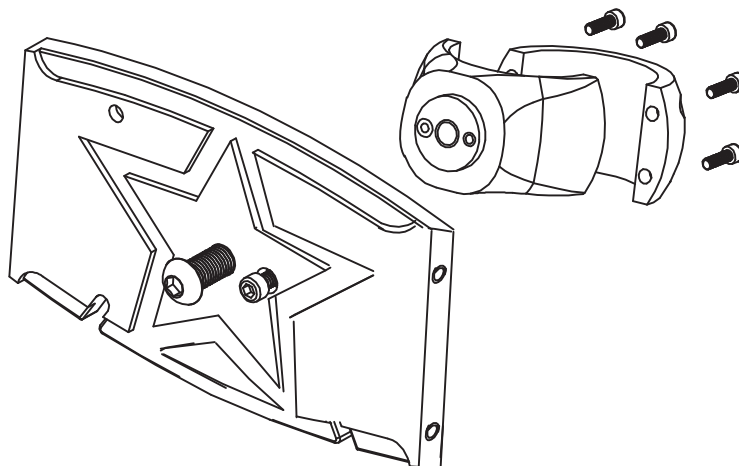
(A) Use the 4 x long M6 bolts with the circular heads.



### STEP4: ATTACHING THE BASE PLATE TO THE CLAMP.

**NOTE:** The back of the base plate has a counter sunk large hole. The clamp has a raised circular area the same size and will fit together.

(A) Insert the ball clamp into the back of the base plate. Now you can use the large dome head shaped bolt and insert from the front of the base plate and thread into the ball clamp. Then insert the small short m6 bolt from the front of the base plate through the threaded hole and tighten.



**NOTE:** You can rotate the base plate to the angle required to level out your boards. The center bolt tighten first. The small bolt you tighten when in position to lock it in.

## INSTALLATION GUIDE

## **STEP5: ATTACHING KNEEBOARD COMBO RACK TO TOWER LEG.**

**NOTE:** The clamp size is 2.5inch you will use the thin rubber collar for an INDY tower. The outer lip of the rubber insert will fit nice around the shape of the ball clamp.

(A) Place the rubber collar around the tower tube at the height you require. Put the half C section of the clamp on top of the rubber collar, face logo into the boat. Now attach the other half of the ball clamp.

**NOTE:** Check the edges of the clamp joint are flush, if not turn the C section around. The bungee cord goes over your boards and lock into the cut outs on the base provided.

**UPGRADE WITH SWING RACK ADAPTORS** - check out [www.indywakeboardtowers.com](http://www.indywakeboardtowers.com)

### **WARNING:**

Remove your boards when towing the boat behind your vehicle.  
Remove base and fingers from clamp whilst towing behind vehicle  
Swing the fingers to face inside the boat outline when tower behind a vehicle.  
Check that your rack is firm and tight and functioning correctly before use.  
Care and maintain your racks. Clean with soapy water and rinse off and dry.  
Use a marine clear protection spray on bolts for best maintenance.

### **WARRANTY**

Indy warrants the product (not including other 3rd party accessories) against manufacturer's defects.

To claim you must contact Indy or its Distributor. The product/part is to be sent to the Distributor for inspection where it will either be repaired or replaced. (unless otherwise agreed in writing)  
The customer is liable for costs associated in shipping the product/part to Indy.

Indy is not responsible for personal injury or damage to the boat caused by the use of wakeboard rack or any transport charges or cost of installation or removal of the wakeboard rack.  
Indy is not liable for direct or indirect or consequential damages resulting from delay or improper installation.

Warranty does NOT cover anodised, polished, powder coated surfaces as well as any hardware corrosion, rubber inserts or bungee cord. They are specifically excluded as their care and use can not be controlled by Indy.

No dealer, retailer or manufacturer is the agent of James G Pty Ltd and may not assume any liability in connection with this warranty. This warranty is in lieu of all.

## **INSTALLATION GUIDE**

---